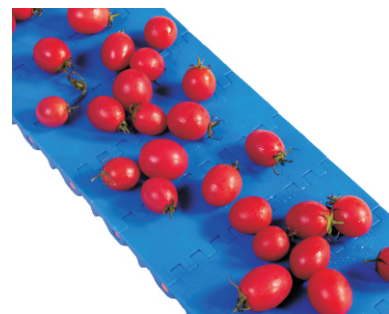
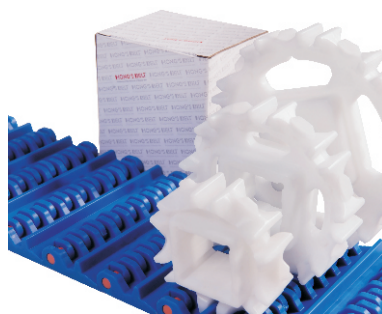
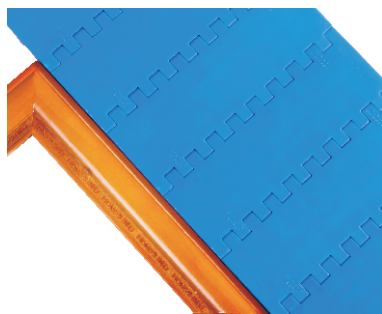
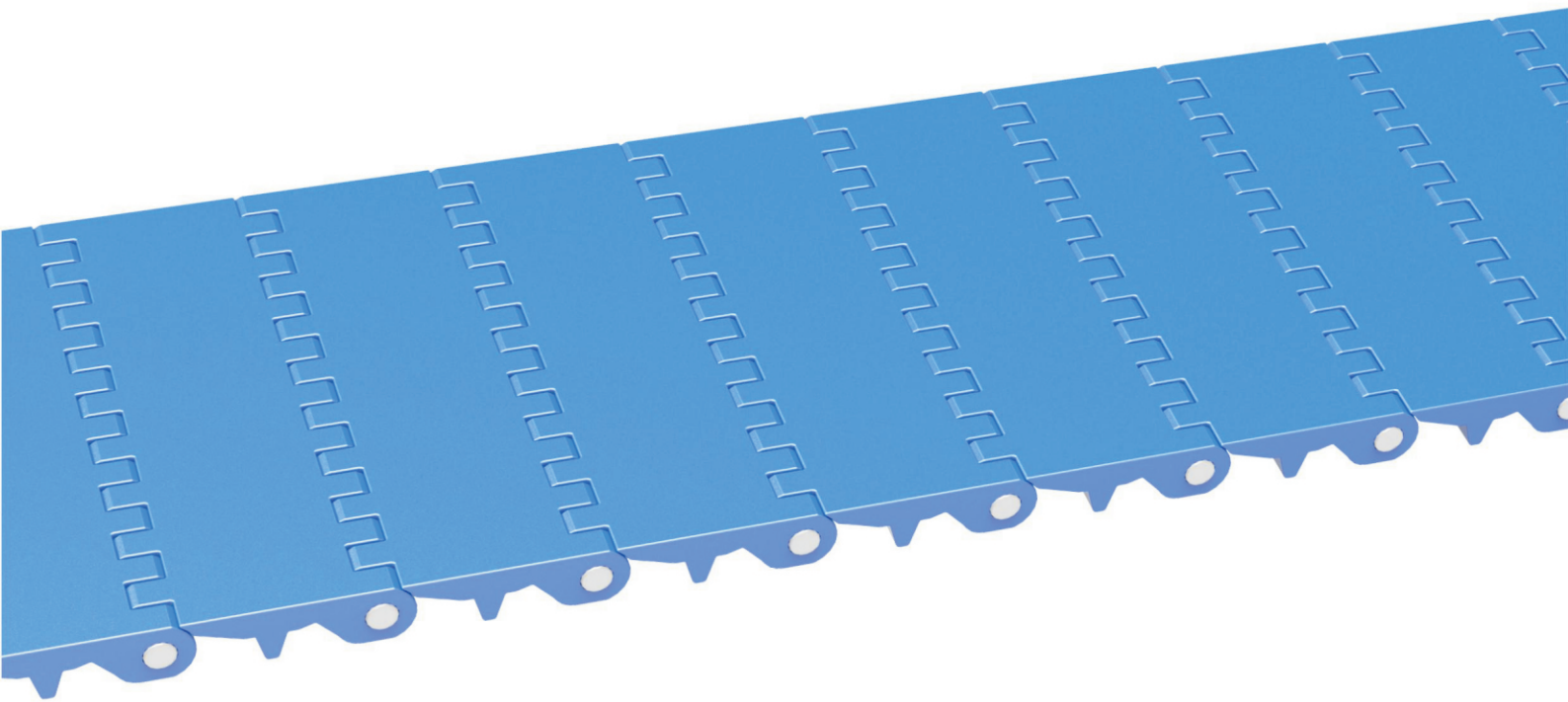
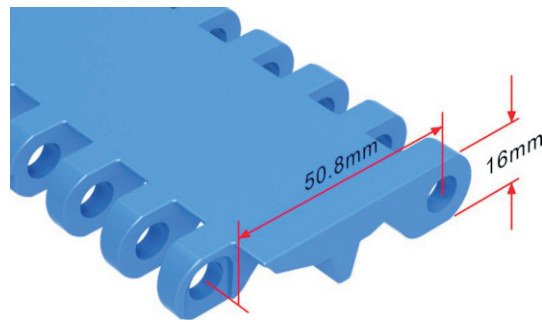


HS-100A-HD Technical Data Sheet



Pitch: 50.8mm
 Minimum Width: 150mm
 Open Area: 0%
 Approved: FDA
 Rod: Ø 8mm
 Flight: Yes
 Side Guard: Yes
 Curve: No



Data

Belt Material	Belt Strength			Temperature		Belt Weight (Kg/M ²)
	Straight		Curve	°C (min.)	°C (max.)	
	Kg/M(BW)	N/M(BW)				
Polypropylene	1340	13400	--	1	100	9.3
Polyethylene	1280	12800	--	-60	60	9.8
Acetal	1770	17700	--	-40	80	14.0
Nylon	1520	15200	--	1	180	12.6

BW – Belt Width

Color Table

Polypropylene					Polyethylene					Acetal					Nylon				
W	G	N	DB	B	W	G	N	DB	B	W	G	N	DB	B	W	G	N	DB	B
●	●						●			●				●				●	

W-White, G-Gray, N-Nature, DB-Darkbrown, B-Blue

Friction Table

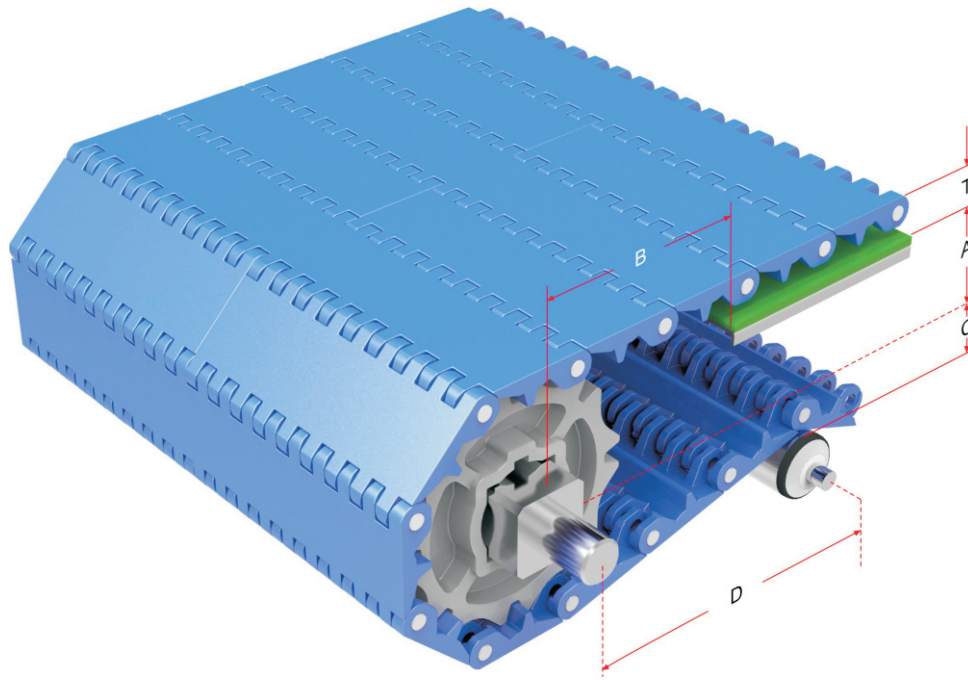
Belt Material	Friction Wear strips & Products							
	UHMW	HDPE	Steel	Glass	SUS	Plastic	Cardboard	Aluminum
Polypropylene	0.32	0.24	0.15	0.09	0.13	0.08	0.15	0.25
Polyethylene	0.13	0.11	0.26	0.19	0.31	0.16	0.21	0.41
Acetal	0.11	0.09	0.27	0.16	0.26	0.15	0.19	0.28
Nylon	0.18	0.13	0.25	0.16	0.26	0.16	0.19	0.27

SUS – Stainless Steel

Equivalent type with other Brand

Brand Name	Intralox	UNI	Rexnord	MCC	Habasit	KVP
Series & Type	200	OPB	6390	2000	H5000	620
	800	L-SNB	2010		M5100	
	850	MPB	2000			

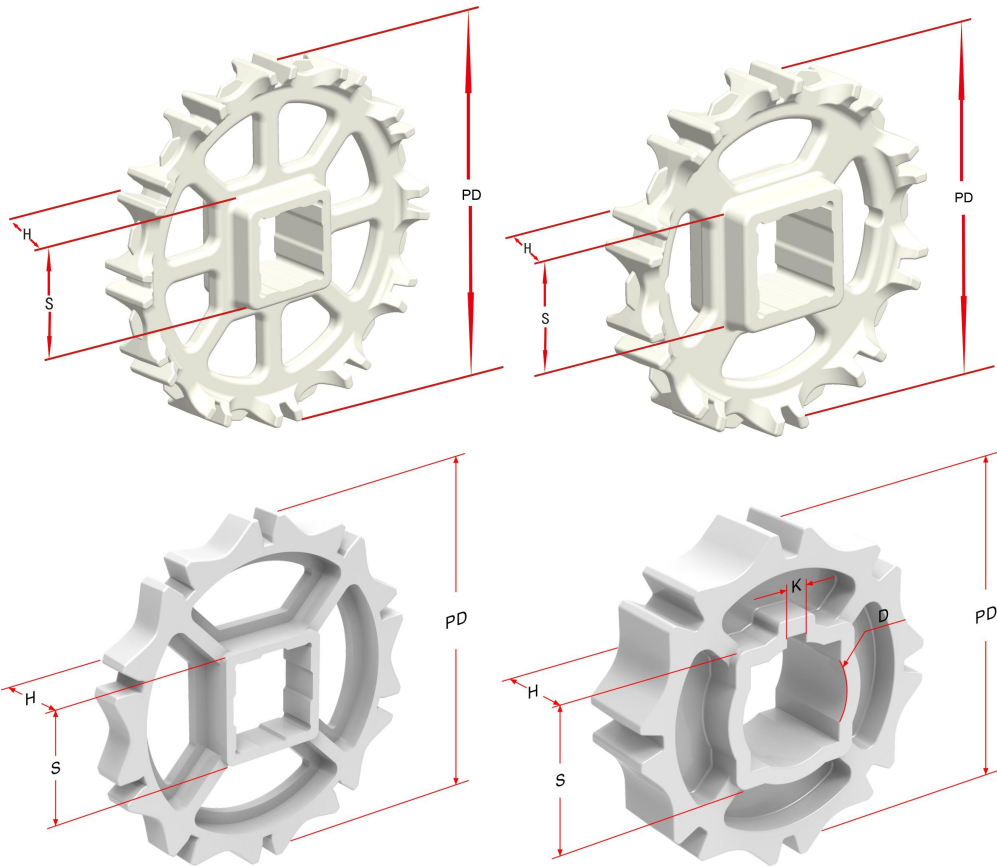
The above content is only for reference.



Conveyor Frame Dimensions

Unit : mm

No. Teeth	A (Min.)	B (Min.)	C (Max.)	D (Min.)	T
6	36.55	54.55	32.55	250	16
6/N	40.1	58.1	36.1	250	
8 / 8/N	53.65	71.65	49.65	250	
10 / 10/N	70.65	88.65	66.65	250	
12 / 12/N	87.4	105.4	83.4	300	



Sprocket Dimensions

Unit : mm

No. Teeth	PD	S	D	H	K
6	89.1	25.4/38.5/40.5	25.5/45.5	37	8X8
6/N	96.2	25.4/38.2	25.4/31.75	37	6.35X3.17
8	123.3	38.5/40.5	25.5/30.5	37	6.35X3.17
8/N	123.3	38.5/40.5	25.4/25.5/30.5/31.75	37	6.35X3.17
10	157.2	38.5/40.5	30.5	37	8X8
10/N	157.3	38.5/40.5/50.8	25.4/25.5/30.5/31.75/35/ 36.5/38.5/50.2/50.8	37	6.35X3.17
12	190.8	38.5/40.5/50.5/60.5	--	37	--
12/N	190.8	38.5/40.5/60.5	--	37	--