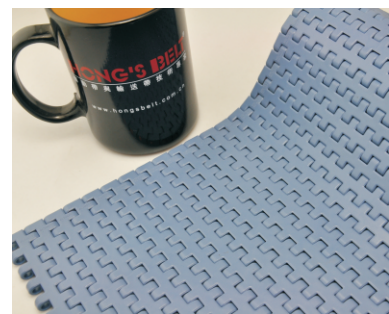
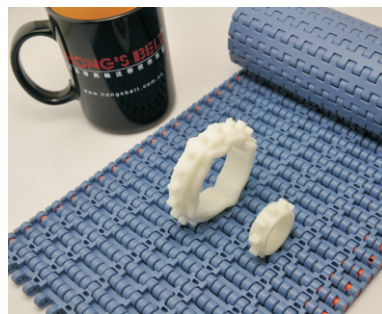
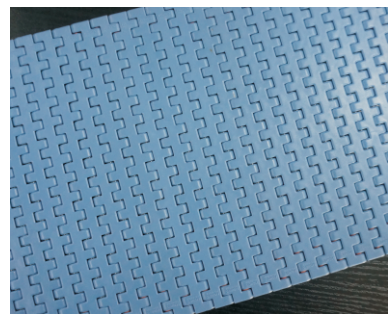
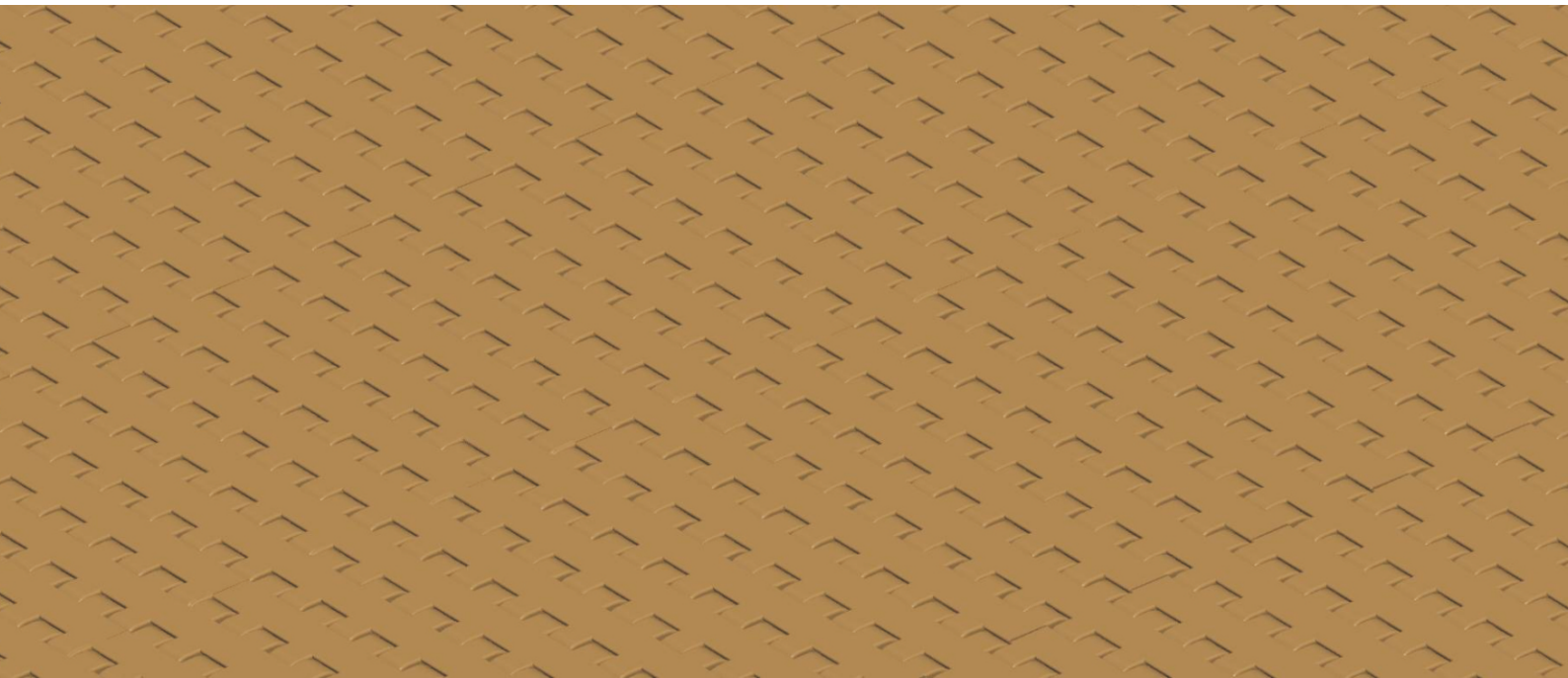


HS-1500A-HD Technical Data Sheet



Pitch: 12.7mm Minimum Width: 76mm Open Area: 0% Approved: FDA Rod: Ø4.7mm Flight: No Side Guard: No Curve: No	
--	--

Data

Belt Material	Belt Strength			Temperature		Belt Weight (Kg/M ²)
	Straight		Curve	°C (min.)	°C (max.)	
	Kg/M(BW)	N/M(BW)				
Polypropylene	1122	11220	--	1	100	4.4
Polyethylene	946	9460	--	-60	60	4.7
Acetal	1815	18150	--	-40	80	8.9
Nylon	1672	16720	--	1	180	6.4

BW – Belt Width

Color Table

Polypropylene					Polyethylene					Acetal					Nylon				
W	G	N	DB	B	W	G	N	DB	B	W	G	N	DB	B	W	G	N	DB	B
●	●						●			●			●	●				●	

W-White, G-Gray, N-Nature, DB-Darkbrown, B-Blue

Friction Table

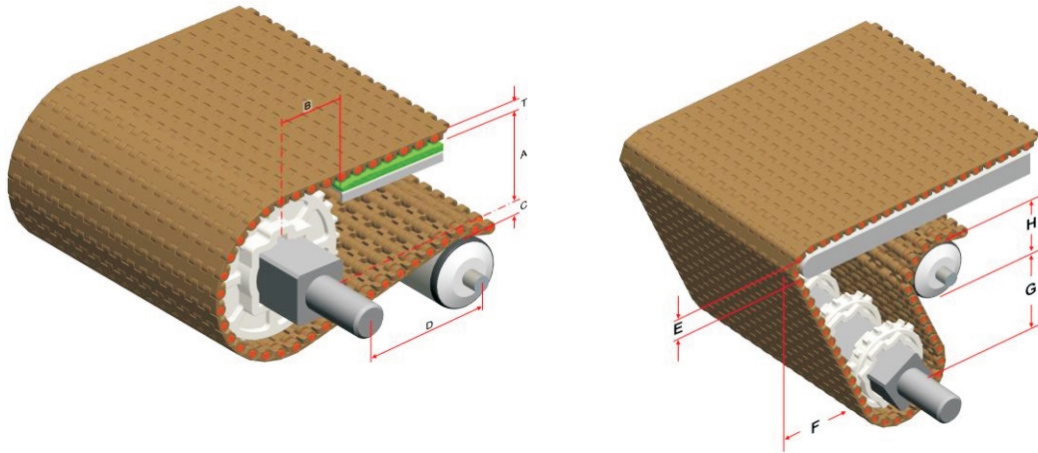
Belt Material	Friction Wear strips & Products							
	UHMW	HDPE	Steel	Glass	SUS	Plastic	Cardboard	Aluminum
Polypropylene	0.32	0.24	0.15	0.09	0.13	0.08	0.15	0.25
Polyethylene	0.13	0.11	0.26	0.19	0.31	0.16	0.21	0.41
Acetal	0.11	0.09	0.27	0.16	0.26	0.15	0.19	0.28
Nylon	0.18	0.13	0.25	0.16	0.26	0.16	0.19	0.27

SUS – Stainless Steel

Equivalent type with other Brand

Brand Name	Intralox	UNI	Rexnord	MCC	Habasit	KVP
Series & Type	1100	M-SNB	500	500	M1100	SM605
	1500				M1200	CH605

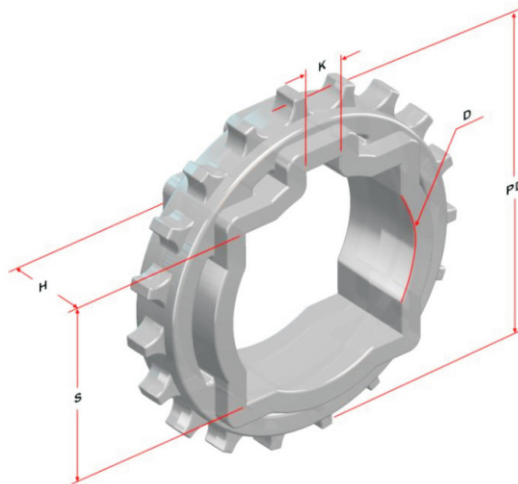
The above content is only for reference.



Conveyor Frame Dimensions

Unit : mm

No. Teeth	A (Min.)	B (Min.)	C (Max.)	D (Min.)	E (Min.)	H (Min.)	T
10	15.5	30.5	14.5	100	Ø 20	Ø 60	10
15	27.25	41.5	27	100	Ø 20	Ø 60	
19	34	49	33	100	Ø 20	Ø 60	
24	45.25	60.25	44.25	130	Ø 20	Ø 60	
28	52.5	67.5	51.5	130	Ø 20	Ø 60	



Sprocket Dimensions

Unit: mm

No. Teeth	PD	S	D	H	K
10	41	--	20/25	12	6X6
15	63	25.2/30.2	25	20	8X8
19	78	38.5/40.5	25/25.4/30.5/35.5	20	8X8
24	100.5	38.5/40.5	25.4	30	8X8
28	115	38.5/40.5	25/25.4/30.5/42.5	30	8X8