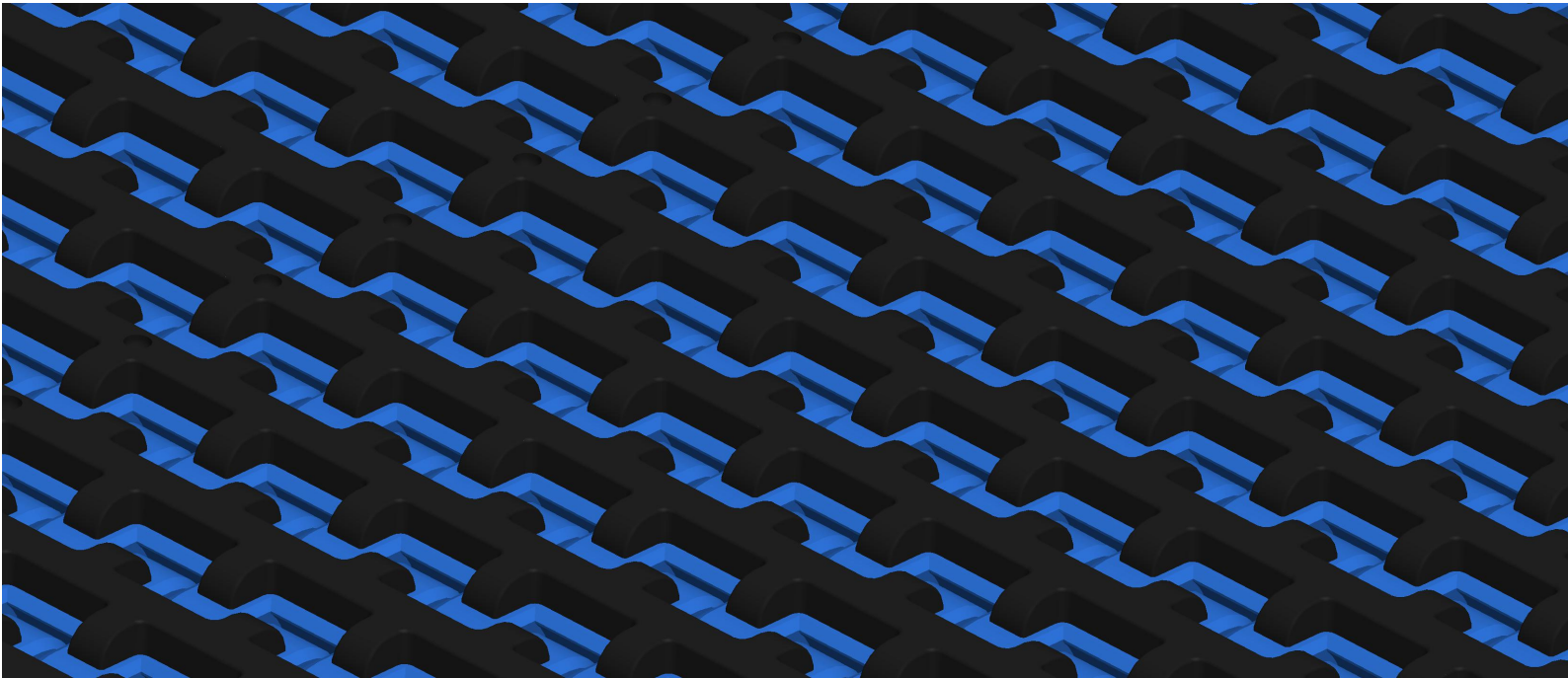
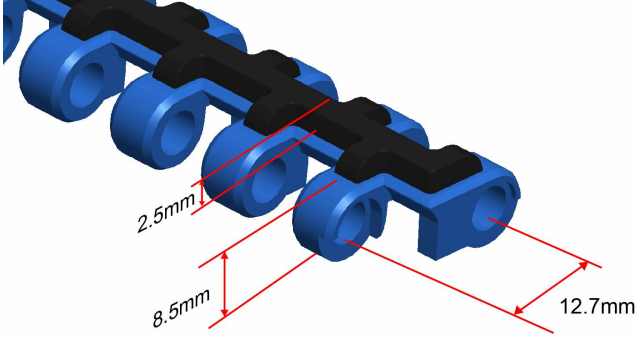


HS-1500EL Technical Data Sheet



Pitch: 12.7mm Minimum Width: 76mm Open Area: 0% Approved: FDA Rod: Ø4.7mm Flight: Yes Side Guard: No Curve: No	
---	--

Data

Belt Material	Belt Strength			Temperature		Belt Weight (Kg/M ²)
	Straight		Curve	°C (min.)	°C (max.)	
	Kg/M(BW)	N/M(BW)				
Polypropylene	1020	10200	--	1	100	4.0
Polyethylene	860	8600	--	-60	60	4.3
Acetal	1650	16500	--	-40	80	6.9
Nylon	1520	15200	--	1	180	5.8

BW - Belt Width

Color Table

Polypropylene					Polyethylene					Acetal					Nylon				
W	G	N	DB	B	W	G	N	DB	B	W	G	N	DB	B	W	G	N	DB	B
●	●						●					●						●	

W-White, G-Gray, N-Nature, DB-Darkbrown, B-Blue

Friction Table

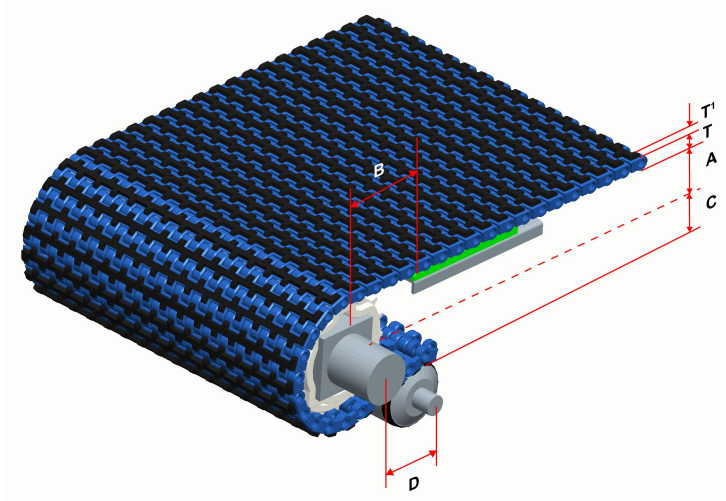
Belt Material	Friction Wear strips & Products							
	UHMW	HDPE	Steel	Glass	SUS	Plastic	Cardboard	Aluminum
Polypropylene	0.32	0.24	0.15	0.09	0.13	0.08	0.15	0.25
Polyethylene	0.13	0.11	0.26	0.19	0.31	0.16	0.21	0.41
Acetal	0.11	0.09	0.27	0.16	0.26	0.15	0.19	0.28
Nylon	0.18	0.13	0.25	0.16	0.26	0.16	0.19	0.27

SUS - Stainless Steel

Equivalent type with other Brand

Brand Name	Intralox	UNI	Rexnord	MCC	Habasit	KVP
Series & Type	1100	M-SNB	500	500	M1100	SM605
	1500	--	--	--	M1200	CH605

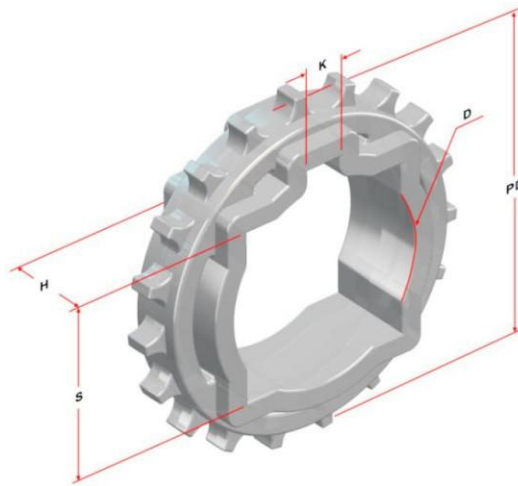
The above content is only for reference.



Conveyor Frame Dimensions

Unit : mm

No. Teeth	A (Min.)	B (Min.)	C (Max.)	D (Min.)	T	T1
10	16.25	30.5	16	100	8.5	2.5
15	27.25	41.5	27	100		
19	34.75	49	34.5	100		
24	46	60.25	45.75	130		
28	53.25	67.5	53	130		



Sprocket Dimensions

Unit: mm

No. Teeth	PD	S	D	H	K
10	41	--	20/25	12	6X6
15	63	25.2/30.2	25	20	8X8
19	78	38.5/40.5	25/25.4/30.5/35.5	20	8X8
24	100.5	38.5/40.5	25.4	30	8X8
28	115	38.5/40.5	25/25.4/30.5/42.5	30	8X8