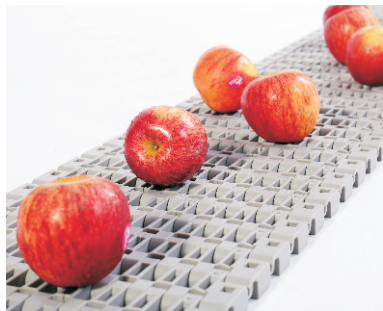
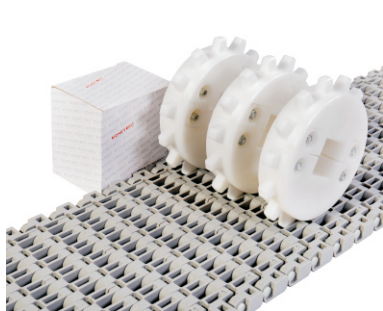
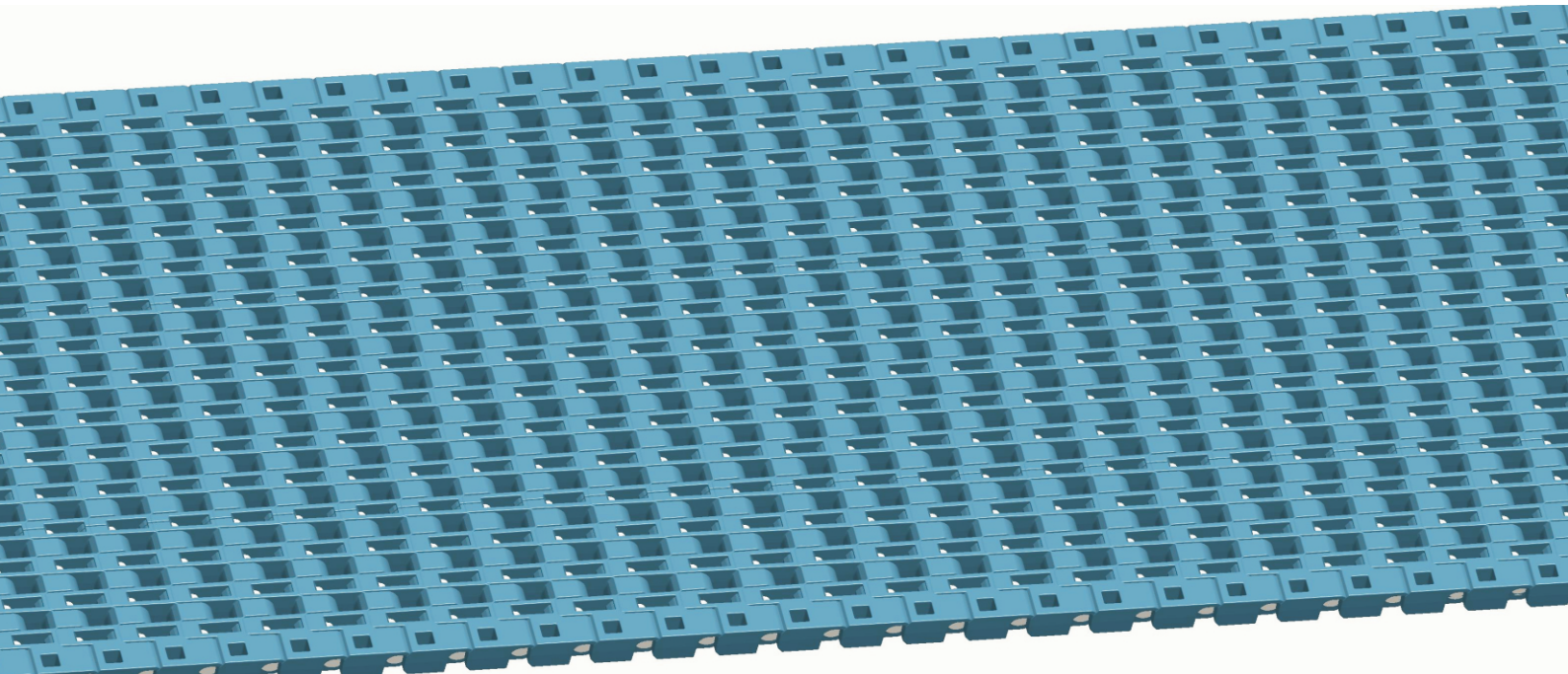


# HS-1700B Technical Data Sheet



Pitch: 38.1mm Minimum Width: 250mm Open Area: 37% Approved: FDA Rod: Ø 8.0mm Flight: Yes Side Guard: No Curve: No	
--	--

## Data

Belt Material	Belt Strength			Temperature		Belt Weight (Kg/M <sup>2</sup> )
	Straight		Curve	°C (min.)	°C (max.)	
	Kg/M(BW)	N/M(BW)				
PP+ AS	3000	30000	--	1	104	15.0
Acetal	5000	50000	--	-40	80	21.3
Acetal+ AS	5000	50000	--	-40	90	21.3

**BW – Belt Width AS-Anti-Static**

## Color Table

Polypropylene					Polyethylene					Acetal					Nylon				
W	G	N	DB	B	W	G	N	DB	B	W	G	N	DB	B	W	G	N	DB	B
●	●									●									●

W-White, G-Gray, N-Nature, DB-Darkbrown, B-Blue

## Friction Table

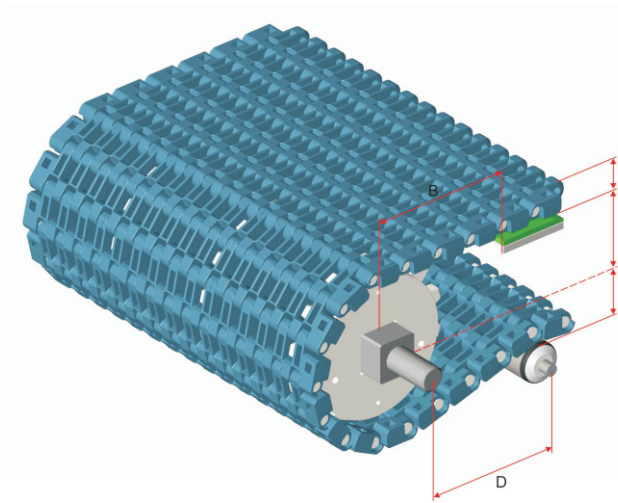
Belt Material	Friction Wear strips & Products							
	UHMW	HDPE	Steel	Glass	SUS	Plastic	Cardboard	Aluminum
Polypropylene	0.32	0.24	0.15	0.09	0.13	0.08	0.15	0.25
Polyethylene	0.13	0.11	0.26	0.19	0.31	0.16	0.21	0.41
Acetal	0.11	0.09	0.27	0.16	0.26	0.15	0.19	0.28
Nylon	0.18	0.13	0.25	0.16	0.26	0.16	0.19	0.27

SUS – Stainless Steel

## Equivalent type with other Brand

Brand Name	Intralox	UNI	Rexnord	MCC	Habasit	KVP
Series & Type	1700					

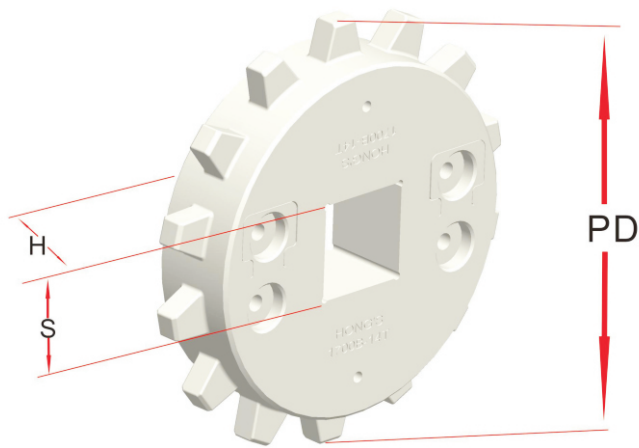
The above content is only for reference.



**Conveyor Frame Dimensions**

Unit : mm

No. Teeth	A ( Min.)	B ( Min.)	C ( Max.)	D ( Min.)	T
14-Split	78.8	98.25	73.35	300	18.9
16-Split	91.64	111.1	86.19	300	
22-Split	128.3	147.75	122.85	300	



**Sprocket Dimensions**

Unit: mm

No. Teeth	PD	S	D	H	K
14-Split	172	40.5/60.5	--	38	--
16-Split	202.17	40.5/60.5	--	38	--
22-Split	275.5	60.5	--	38	--

⌘ The above sprockets are standard, and it also can be customized according to customer's request, including the teeth number of sprocket and the size of square bore; the processing time is about 2 weeks.