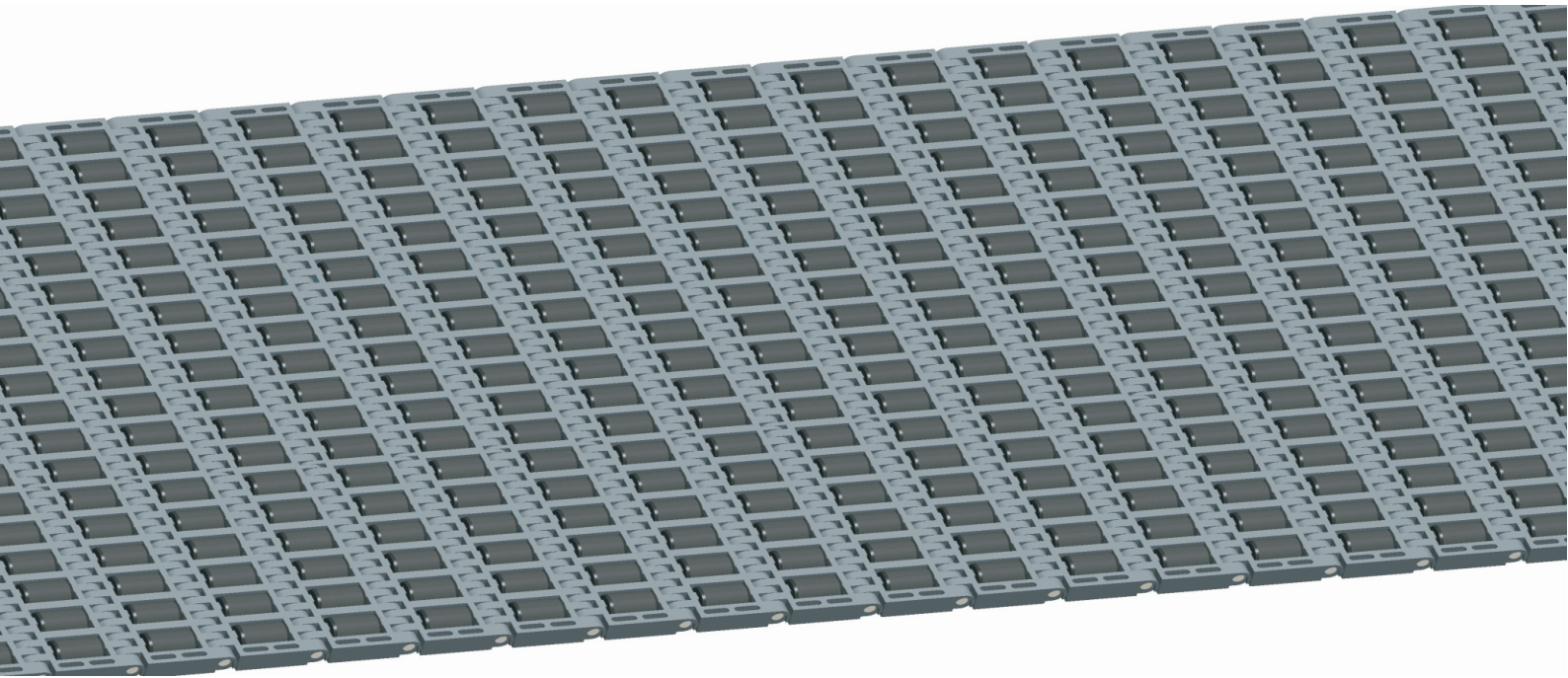


HS-3800-3C Technical Data Sheet



Pitch: 50.8mm Minimum Width: 222mm Open Area: 3% Approved: FDA Rod: Ø 5.8mm Flight: Non Side Guard: Non Curve : Non	
--	--

Data

Belt Material	Belt Strength Kg/M (BW)		Curve	Temperature		Belt Weight (Kg/M ²)
	Straight			°C (min.)	°C (max.)	
	Kg/M(BW)	N/M(BW)				
Polypropylene	2745	27450	--	1	110	8.2
Polyethylene	2610	26100	--	-60	60	8.6
Acetal	3090	30900	--	-40	80	12.4
Nylon	2400	24000	--	1	180	11.2

BW – Belt Width

Color Table

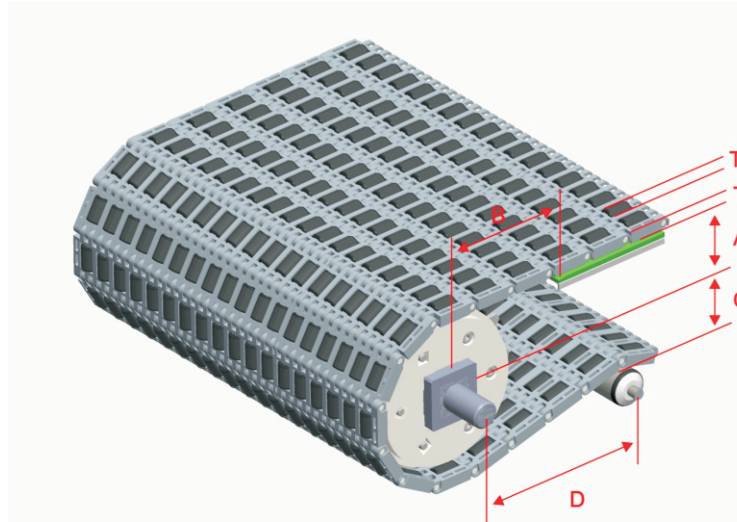
Polypropylene					Polyethylene					Acetal					Nylon				
W	G	N	DB	B	W	G	N	DB	B	W	G	N	DB	B	W	G	N	DB	B
●	●																		

W-White, G-Gray, N-Nature, DB-Dark brown, B-Blue

Friction Tables

Belt Material	Friction Wearstrips & Products							
	UHMW	HDPE	Steel	Glass	SUS	Plastic	Cardboard	Aluminum
Polypropylene	0.32	0.24	0.15	0.09	0.13	0.08	0.15	0.25
Polyethylene	0.13	0.11	0.26	0.19	0.31	0.16	0.21	0.41
Acetal	0.11	0.09	0.27	0.16	0.26	0.15	0.19	0.28
Nylon	0.18	0.13	0.25	0.16	0.26	0.16	0.19	0.27

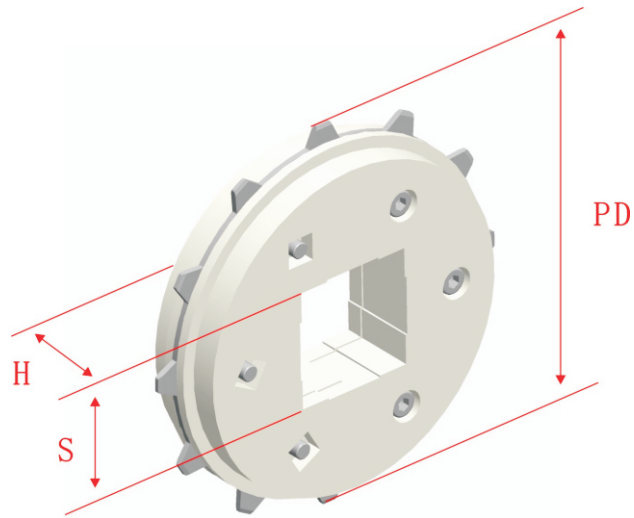
SUS – Stainless Steel



Conveyor Frame Dimensions

Unit : mm

No.Teeth	A (Min.)	B (Min.)	C (Max.)	D (Min.)	T
12	88	65	100	300	13



Sprocket Dimensions

Unit: mm

No. Teeth	PD	S	D	H	K
12	196	60	--	40	--