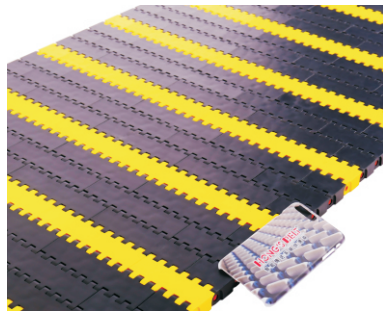
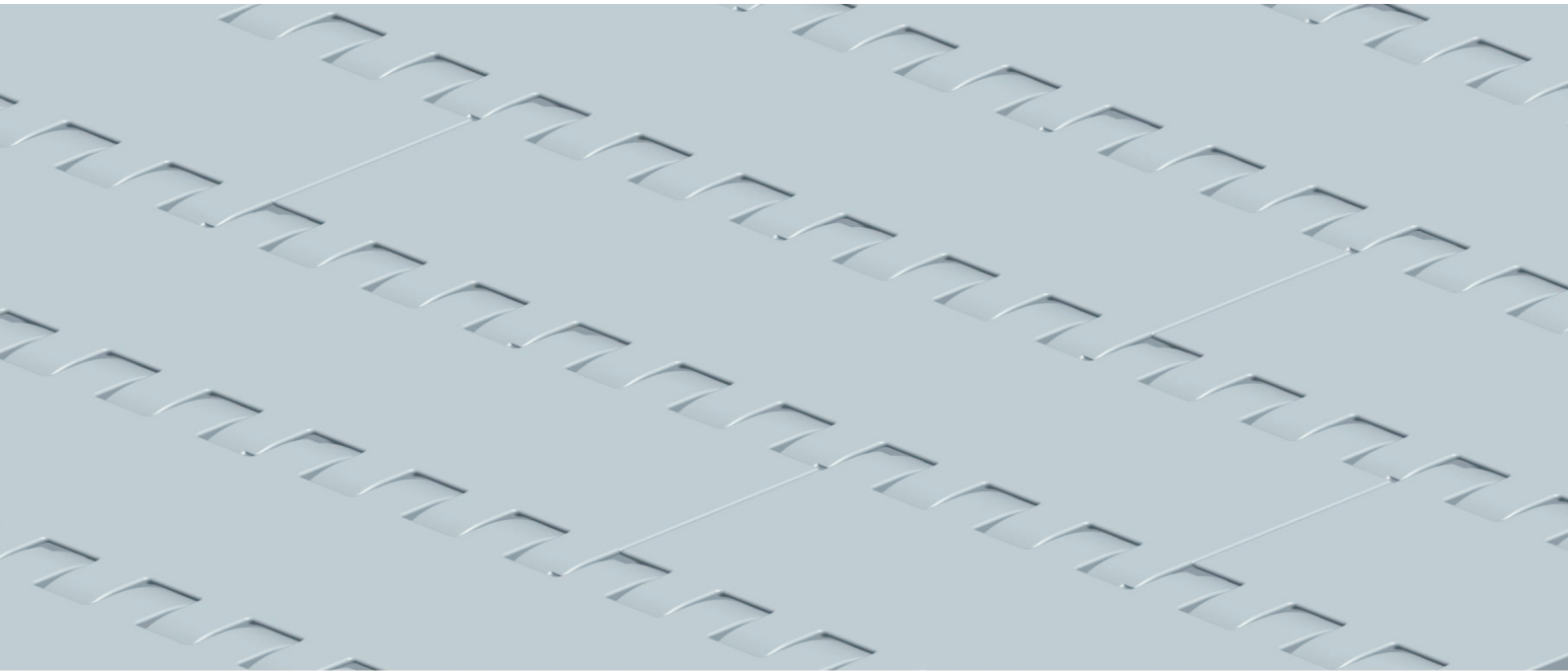


HS-6800A Technical Data Sheet



Pitch: 38.1mm Minimum Width: 50.2mm Open Area: 0% Approved: FDA Rod: Ø 8mm Flight: No Side Guard: No Curve: No	
---	--

Data

Belt Material	Belt Strength			Temperature		Belt Weight (Kg/M ²)
	Straight		Curve	°C (min.)	°C (max.)	
	Kg/M(BW)	N/M(BW)				
Acetal	5500	55000	--	-40	80	17.5
Acetal+ AS	5500	55000	--	-40	85	17.5
BW-Belt Width	AS-Anti-Static					

Color Table

Polypropylene					Polyethylene					Acetal				
W	G	N	DB	B	W	G	N	DB	B	W	G	N	DB	BL
										●				●

W-White, G-Gray, N-Nature, DB-Darkbrown, BL-Black

Friction Table

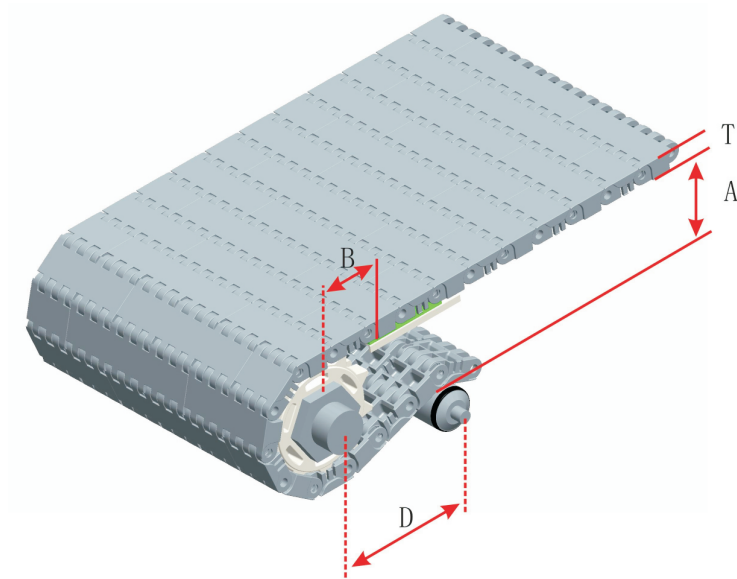
Belt Material	Friction Wear strips & Products							
	UHMW	HDPE	Steel	Glass	SUS	Plastic	Cardboard	Aluminum
Polypropylene	0.32	0.24	0.15	0.09	0.13	0.08	0.15	0.25
Polyethylene	0.13	0.11	0.26	0.19	0.31	0.16	0.21	0.41
Acetal	0.11	0.09	0.27	0.16	0.26	0.15	0.19	0.28

SUS - Stainless Steel

Equivalent type with other Brand

Brand Name	Intralox	UNI	Rexnord	MCC	Habasit	KVP
Series&Type	1800	XLB	2500		M6300	
			3120		M6400	

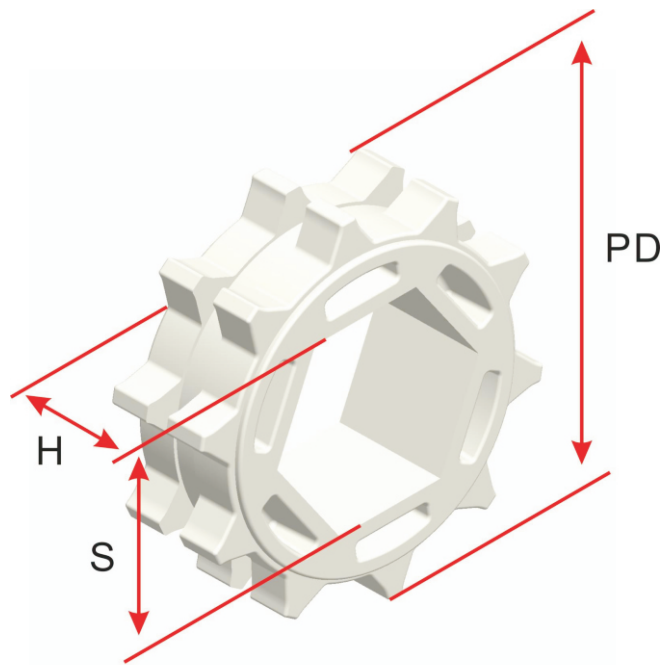
The above content is only for reference.



Conveyor Frame Dimensions

Unit : mm

No. Teeth	A (Min.)	B (Min.)	C (Max.)	D (Min.)	T
10	49.6	69.1	44.1	400	19



Sprocket Dimensions

Unit: mm

No. Teeth	PD	S	D	H	K
10	118.2	60.2	--	40	--

⚙️ The above sprockets are standard, and it also can be customized according to customer's request, including the teeth number of sprocket and the size of square bore; the processing time is about 2 weeks.