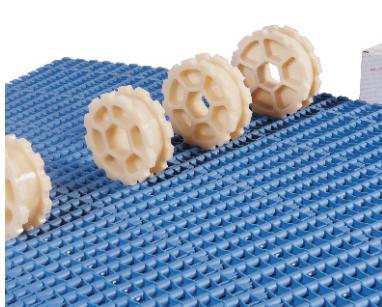
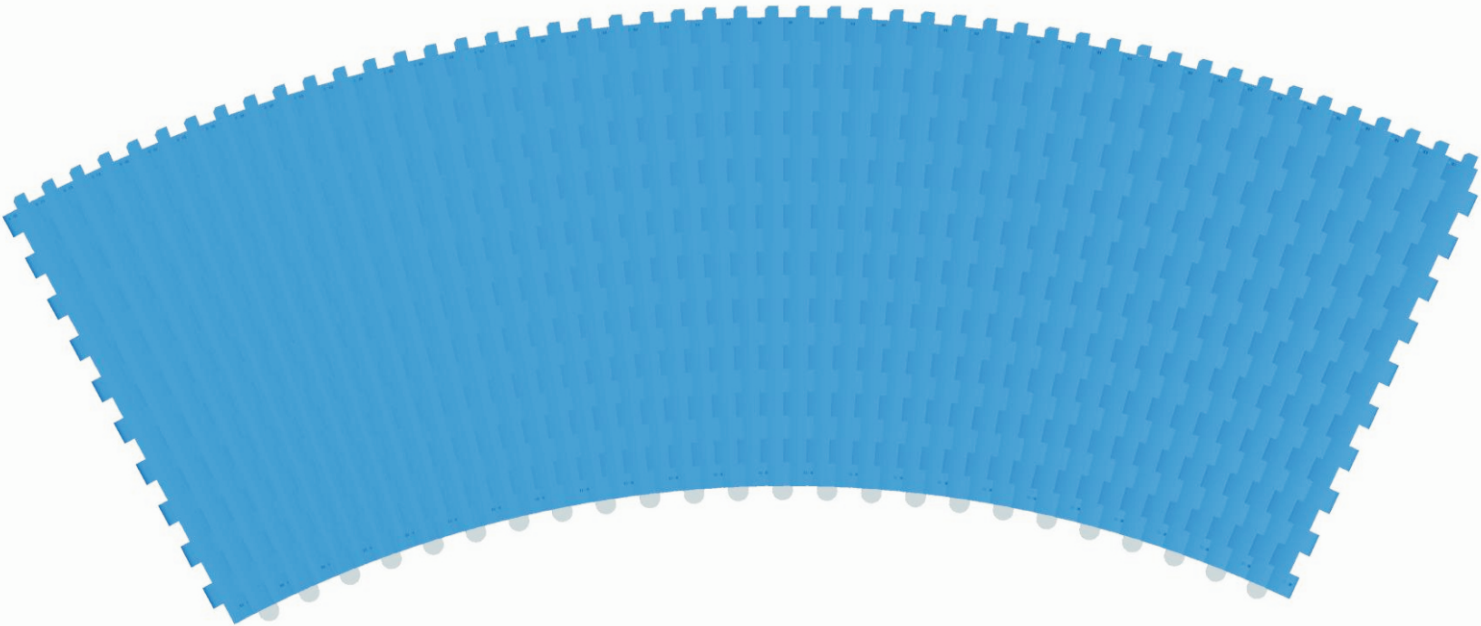
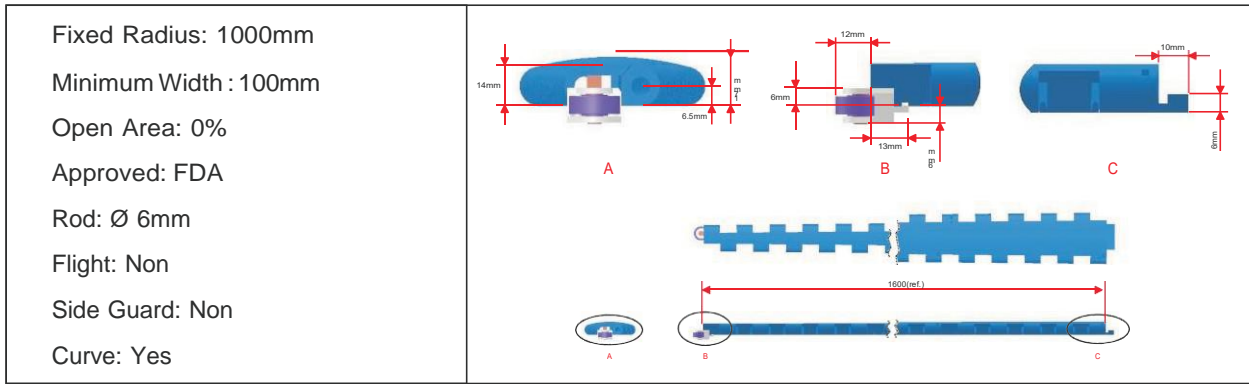


HS-8000A-RC Technical Data Sheet





Data

Belt Material	Belt Strength		Temperature		Belt Weight (Kg/ M ²)
	Curve		°C (min.)	°C (max.)	
	Kg/M(BW)	N/M(BW)			
Polypropylene	3000	30000	1	100	7.7
Polyethylene	2000	20000	-60	60	7.9
Acetal	4000	40000	-40	80	11.6
Nylon	3000	30000	1	180	11
HK	3600	36000	-40	80	11.1

BW – Belt Width

Color Table

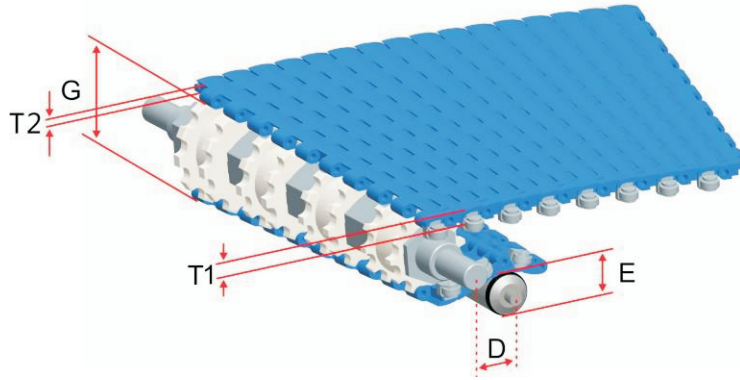
Polypropylene					Polyethylene					Acetal									
W	G	N	DB	B	W	G	N	DB	B	W	G	N	DB	B					
●	●						●					●					●	●	

W-White, G-Gray, N-Nature, DB-Dark brown, B-Blue

Friction Table

Belt Material	Friction Wear Strip & Products							
	UHMW	HDPE	Steel	Glass	SUS	Plastic	Cardboard	Aluminum
Polypropylene	0.32	0.24	0.15	0.09	0.13	0.08	0.15	0.25
Polyethylene	0.13	0.11	0.26	0.19	0.31	0.16	0.21	0.41
Acetal	0.11	0.09	0.27	0.16	0.26	0.15	0.19	0.28
Nylon	0.18	0.13	0.25	0.16	0.26	0.16	0.19	0.27

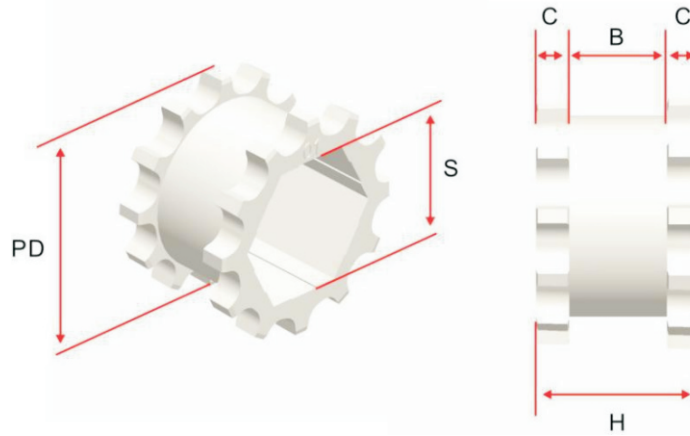
SUS – Stainless Steel



Conveyor Frame Dimensions

Unit : mm

No. Teeth	D (Min.)	E (Min.)	G	T1-T2
12	200	40	4.2°	14-17



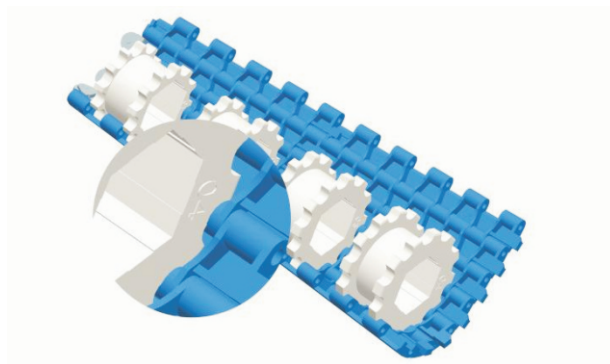
Sprocket Dimensions

Unit : mm

Belt Width	Sprocket No.	PD	S	B	C	H
200	1	77	50	30	10	50
	2	84.4		30		
400	3	91.7		30		
	4	99.1		30		
600	5	106.4		30		
	6	113.8		30		
800	7	121.1		30		
	8	128.4		30		
1000	9	135.8		30		
	10	143.1		30		

Belt Width	Sprocket No.	PD	S	B	C	H
1200	11	150.5	50	30	10	50
	12	157.8		30		
1400	13	165.2		30		
	14	172.5		30		
1600	15	180.0		30		
	16	187.2		30		

Installation of Sprocket



Please install the sprocket according to the graphical representation.

HS-8000A-RC Flat Top Radius Modular Conveyor Belt

HS-8000 flat top radius modular conveyor belt is a brand new products designed for logistic industry by **HONG'S BELT**. The minimum inside turning radius is 1000mm which would not change if the belt width change. With the minimum inside turning radius of 1000mm, the belt width could be 100mm, 200mm, 300mm, 400mm, 500mm to the largest belt width 1600mm.

Driving Mode of HS-8000A-RC

For turning conveyors installed with traditional PVC conveyor belt, the belt is fixed with unstable bearing parts, so the lift time of it is very short and the structure of the conveying machine is large; At the same time, the belt is drive by smooth roller, so it is easy to slip, which causes the low tension force and usually affects the production.

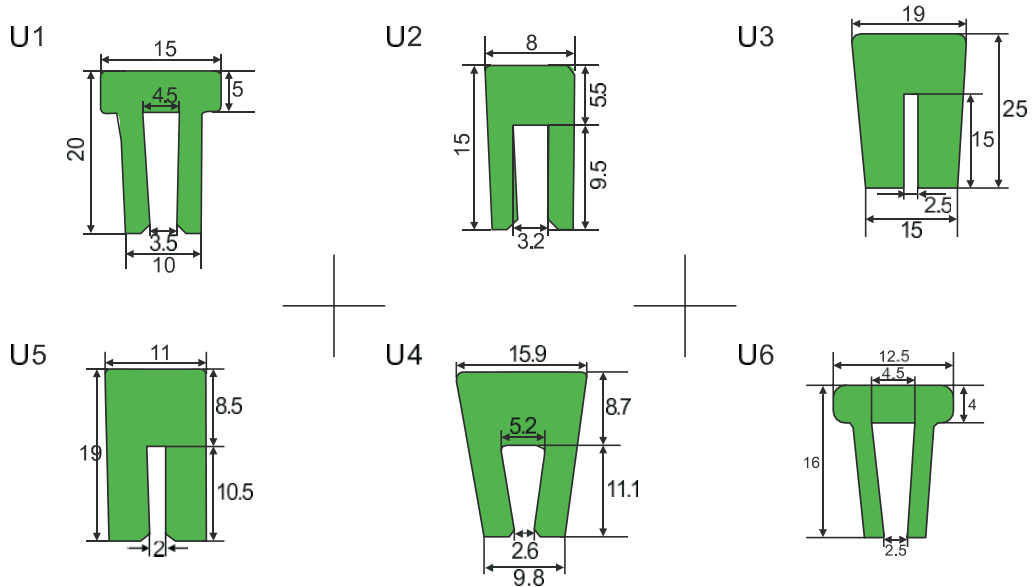
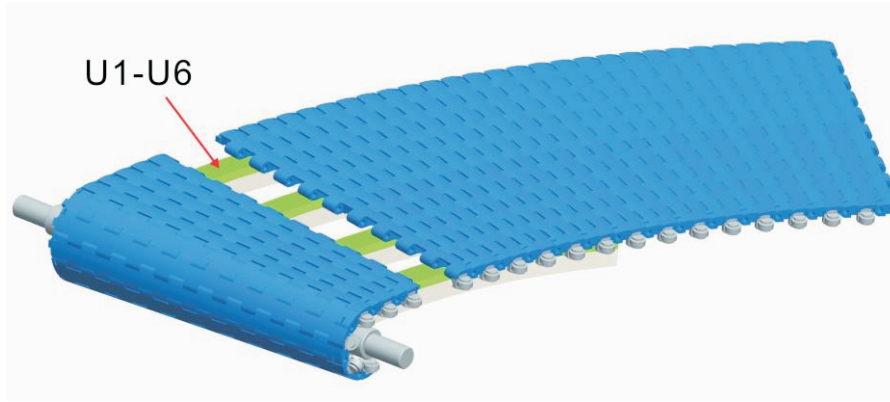
HS-8000 Radius Modular Conveyor Belt is designed with module structure, and is drive by sprockets, which solve the slip of belt and ensure the belt in most stable condition in operation.

The bore of HS-8000 sprocket is 50.2mm hexagon, it can be matched with 50mm standard hexagonal shaft, so it is easy to get and process the raw material, more importantly, this design solves the chordal action of quadrilateral shaft and brings more stable operation.

Advantages of HS-8000A-RC

HS-8000 Radius Modular Conveyor Belt is stable in operation, and because of its fixed structure design, straight sections are not needed in driving end, which save the manufacturing cost and the space of conveying system.

Guide Rail & Wear Strips



We have different kinds of guide rail and wear strips for your choice;
For more information, please consult our sales team.

