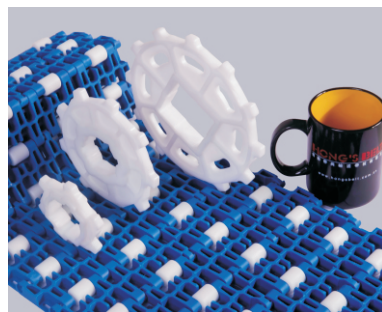
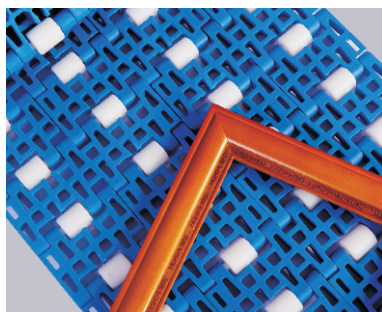
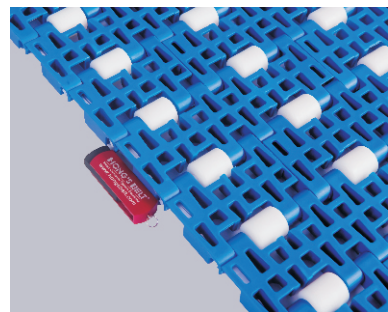
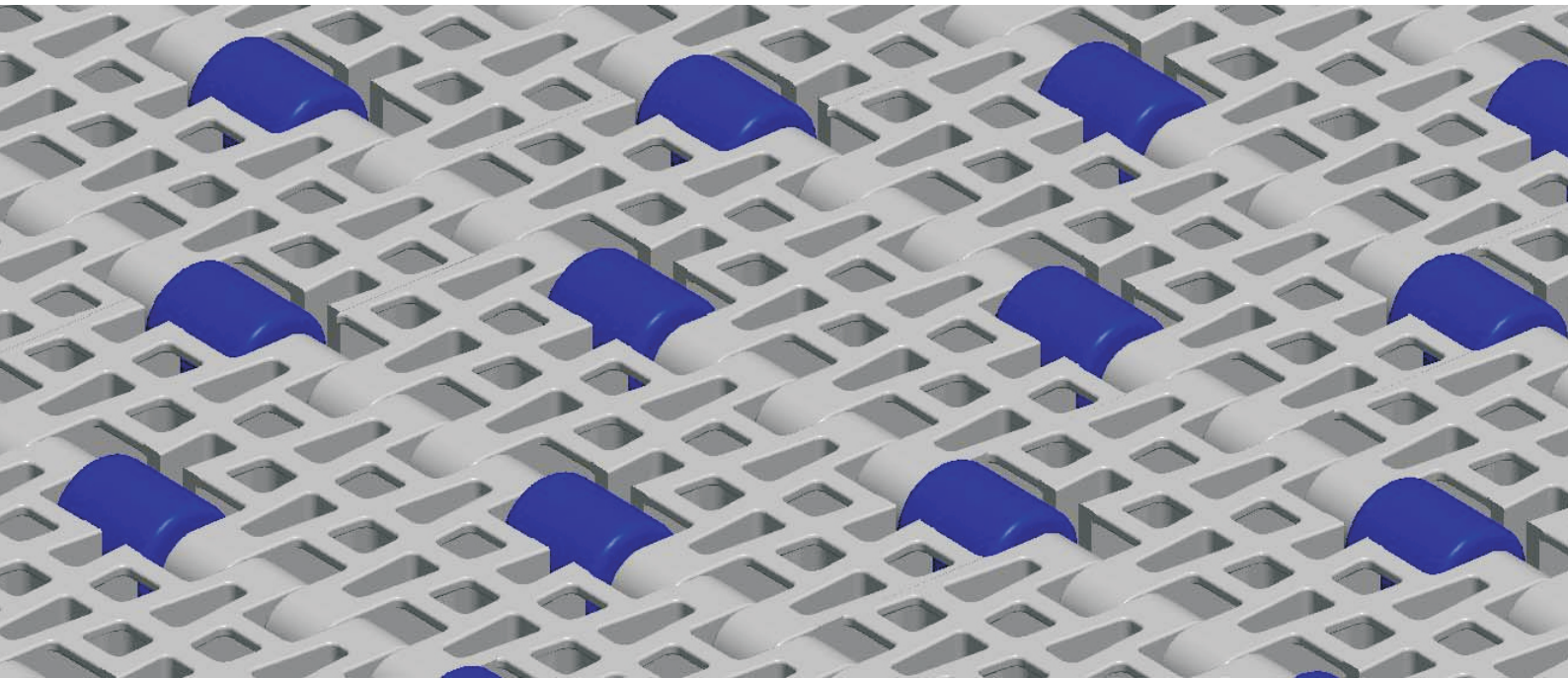


## HS-900C Technical Data Sheet



<p>Pitch: 50.8mm</p> <p>Minimum Width: 150mm</p> <p>Open Area: 34%</p> <p>Approved: FDA</p> <p>Rod: Ø 5.8mm</p> <p>Flight: No</p> <p>Side Guard: No</p> <p>Curve: No</p>	
--	--

## Data

Belt Material	Belt Strength			Temperature		Belt Weight (Kg/M <sup>2</sup> )
	Straight		Curve	°C (min.)	°C (max.)	
	Kg/M(BW)	N/M(BW)				
Polypropylene	2745	27450	--	1	100	6.6
Polyethylene	2610	26100	--	-60	60	7.4
Acetal	3090	30900	--	-40	80	9.5
Nylon	2400	24000	--	1	180	8.5

**BW – Belt Width**

## Color Table

Polypropylene					Polyethylene					Acetal					Nylon				
W	G	N	DB	B	W	G	N	DB	B	W	G	N	DB	B	W	G	N	DB	B
●	●						●			●						●			

W-White, G-Gray, N-Nature, DB-Darkbrown, B-Blue

## Friction Table

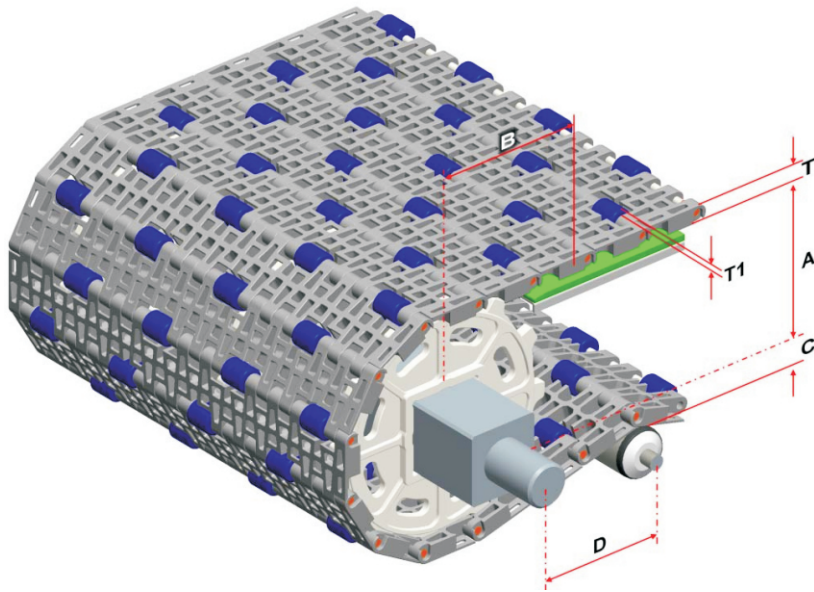
Belt Material	Friction Wear strips & Products							
	UHMW	HDPE	Steel	Glass	SUS	Plastic	Cardboard	Aluminum
Polypropylene	0.32	0.24	0.15	0.09	0.13	0.08	0.15	0.25
Polyethylene	0.13	0.11	0.26	0.19	0.31	0.16	0.21	0.41
Acetal	0.11	0.09	0.27	0.16	0.26	0.15	0.19	0.28
Nylon	0.18	0.13	0.25	0.16	0.26	0.16	0.19	0.27

SUS – Stainless Steel

## Equivalent type with other Brand

Brand Name	Intralox	UNI	Rexnord	MCC	Habasit	KVP
Series & Type	400	OPB	2000		5000	
	200	L-SNB	6390		5100	
	800/850	MPB	2010			

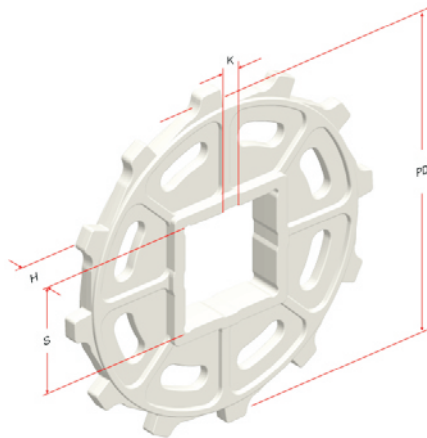
The above content is only for reference.



**Conveyor Frame Dimensions**

**Unit : mm**

No. Teeth	A ( Min.)	B ( Min.)	C ( Max.)	D ( Min.)	T	T1
6	41	58	38	250	14	3
9	66.5	83.5	63.5	250		
12	90.75	107.75	87.75	300		



**Sprocket Dimensions**

**Unit: mm**

No. Teeth	PD	S	D	H	K
6	96	38.5/40.5	45.5/47.5	20	7X7
9	147	38.5/40.5/50.5	25.5/30.5/31.75/40.5/47.5/50.5	12	8X8
12	195.5	38.5/40.5/60.5/63.5	--	12	--