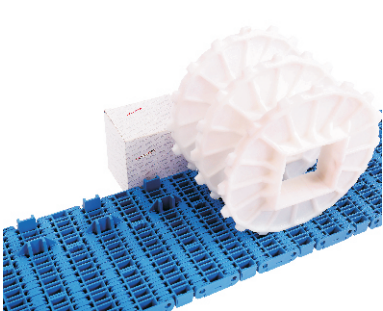
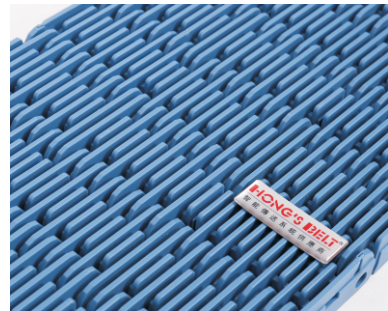
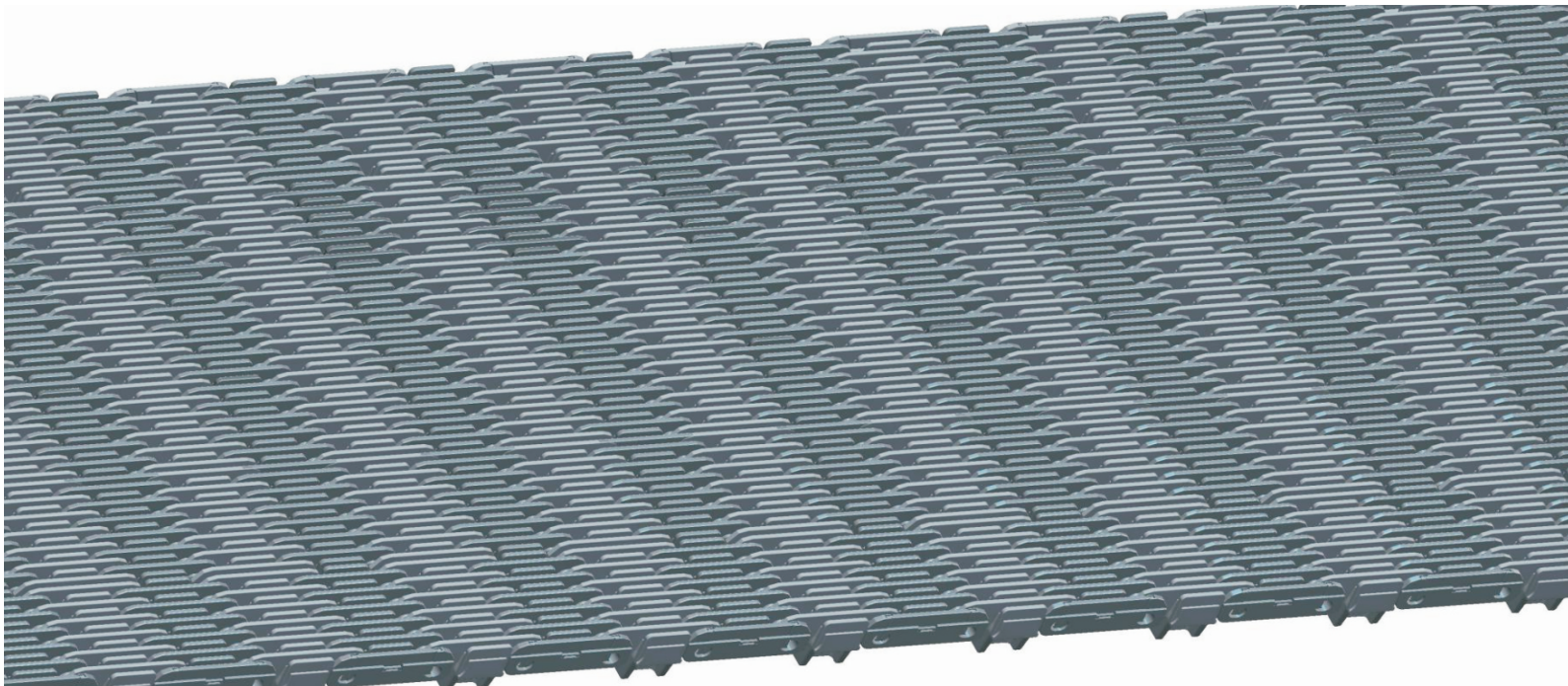


# HS-901D-HD Technical Data Sheet



|  |  |
|--|--|
| <p>Pitch: 50.8mm</p> <p>Minimum Width: 152mm</p> <p>Open Area: 27%</p> <p>Approved: FDA</p> <p>Rod: Ø 8.0mm</p> <p>Flight: No</p> <p>Side Guard: No</p> <p>Curve: No</p> |  |
|--|--|

## Data

| Belt Material | Belt Strength |         | Curve | Temperature |           | Belt Weight<br>(Kg / M <sup>2</sup> ) |
|---------------|---------------|---------|-------|-------------|-----------|---------------------------------------|
|               | Straight      |         |       | °C (min.)   | °C (max.) |                                       |
|               | Kg/M(BW)      | N/M(BW) |       |             |           |                                       |
| Polypropylene | 3200          | 32000   | --    | 1           | 100       | 11.2                                  |

**BW – Belt Width**

## Color Table

| Polypropylene |   |   |    |   | Polyethylene |   |   |    |   | Acetal |   |   |    |   |
|---------------|---|---|----|---|--------------|---|---|----|---|--------|---|---|----|---|
| W             | G | N | DB | B | W            | G | N | DB | B | W      | G | N | DB | B |
| ●             | ● |   |    |   |              |   | ● |    |   | ●      |   |   | ●  | ● |

W-White, G-Gray, N-Nature, DB-Darkbrown, B-Blue

## Friction Table

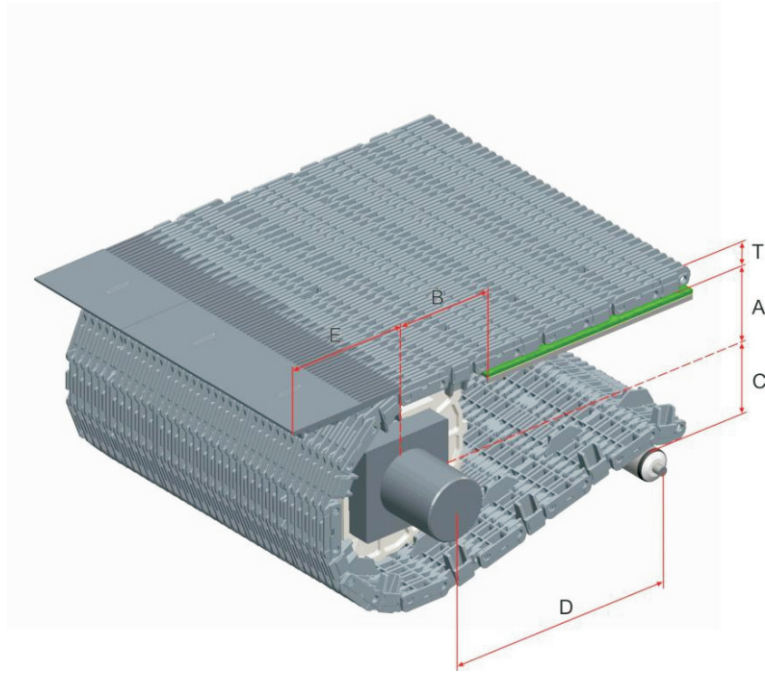
| Belt Material | Friction Wear strips & Products |      |       |       |      |         |           |          |
|---------------|---------------------------------|------|-------|-------|------|---------|-----------|----------|
|               | UHMW                            | HDPE | Steel | Glass | SUS  | Plastic | Cardboard | Aluminum |
| Polypropylene | 0.32                            | 0.24 | 0.15  | 0.09  | 0.13 | 0.08    | 0.15      | 0.25     |
| Polyethylene  | 0.13                            | 0.11 | 0.26  | 0.19  | 0.31 | 0.16    | 0.21      | 0.41     |
| Acetal        | 0.11                            | 0.09 | 0.27  | 0.16  | 0.26 | 0.15    | 0.19      | 0.28     |

SUS – Stainless Steel

## Equivalent type with other Brand

| Brand Name    | Intralox | UNI | Rexnord | MCC  | Habasit | KVP |
|---------------|----------|-----|---------|------|---------|-----|
| Series & Type | 200      | DPB | 2000    | 2000 | M5000   | 620 |
|               | 400      | SNB | 2010    |      | M5100   |     |
|               | 800/850  | MPB | 6390    |      |         |     |

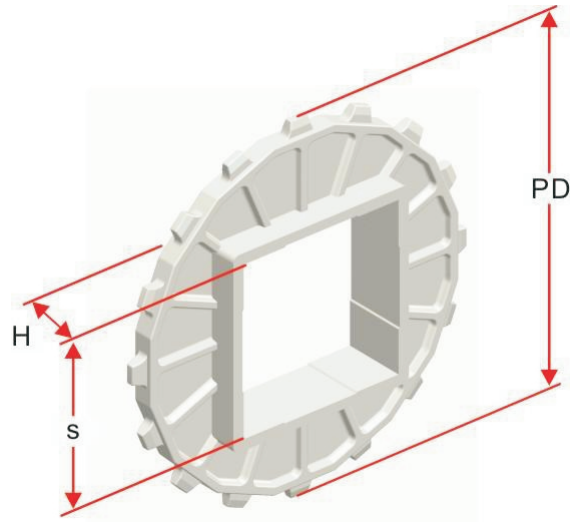
The above content is only for reference.



**Conveyor Frame Dimensions**

Unit : mm

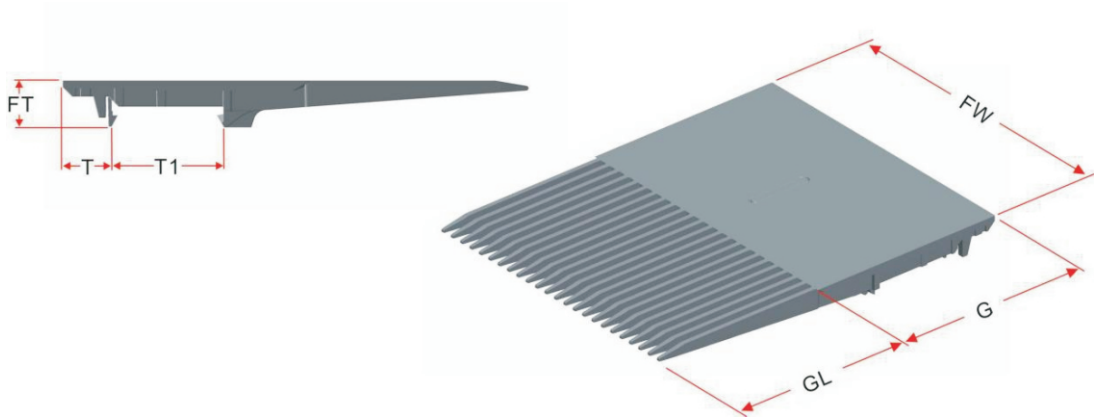
| No. Teeth | A ( Min.) | B ( Min.) | C ( Max.) | D ( Min.) | E   | T  |
|-----------|-----------|-----------|-----------|-----------|-----|----|
| 12        | 85.09     | 107.09    | 77.09     | 250       | 160 | 24 |
| 16        | 118       | 140       | 110       | 250       | 160 |    |



**Sprocket Dimensions**

Unit: mm

| No. Teeth | PD     | S           | D  | H  | K  |
|-----------|--------|-------------|----|----|----|
| 12        | 194.18 | 38.3/40.2   | -- | 45 | -- |
| 16        | 260    | 75.2/90/120 | -- | 45 | -- |



**Finger Transfer Plate Frame Dimensions**

Unit : mm

| No. Finger | FW  | FT | GL  | G  | T     | T1 |
|------------|-----|----|-----|----|-------|----|
| 24         | 151 | 19 | 100 | 90 | 18.75 | 45 |